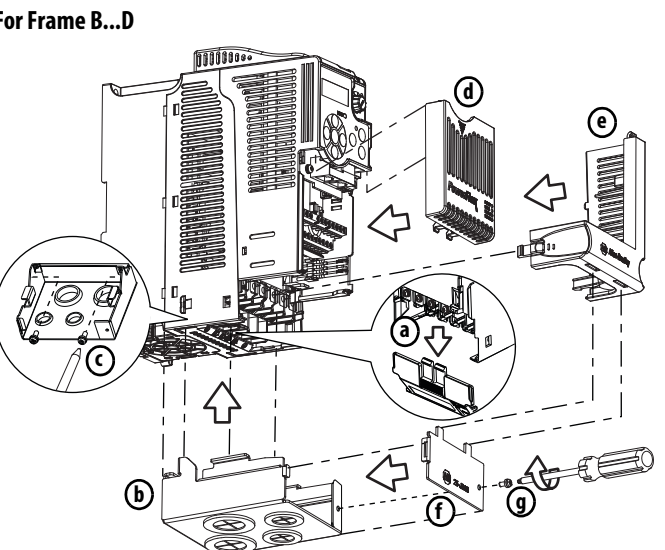
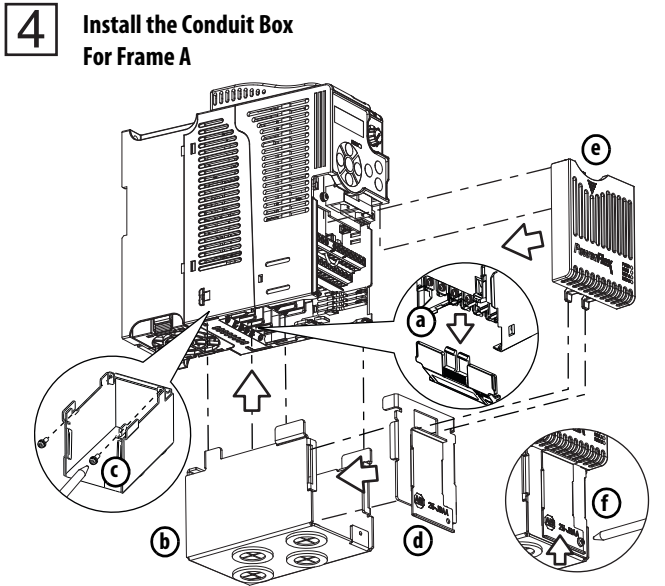
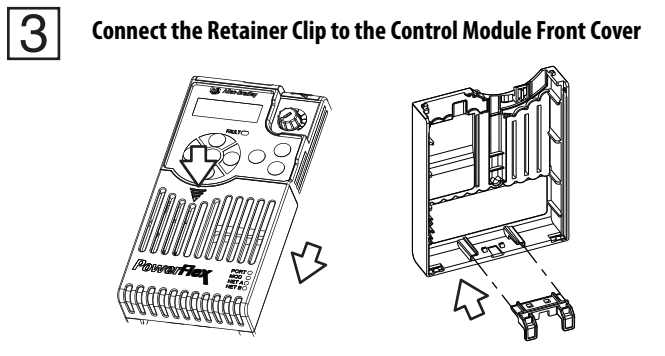
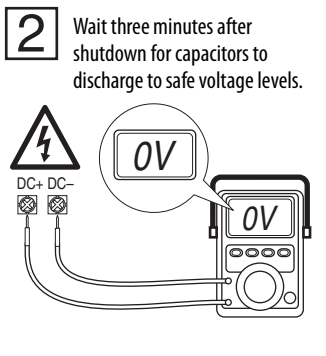
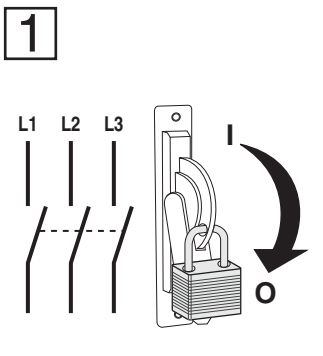
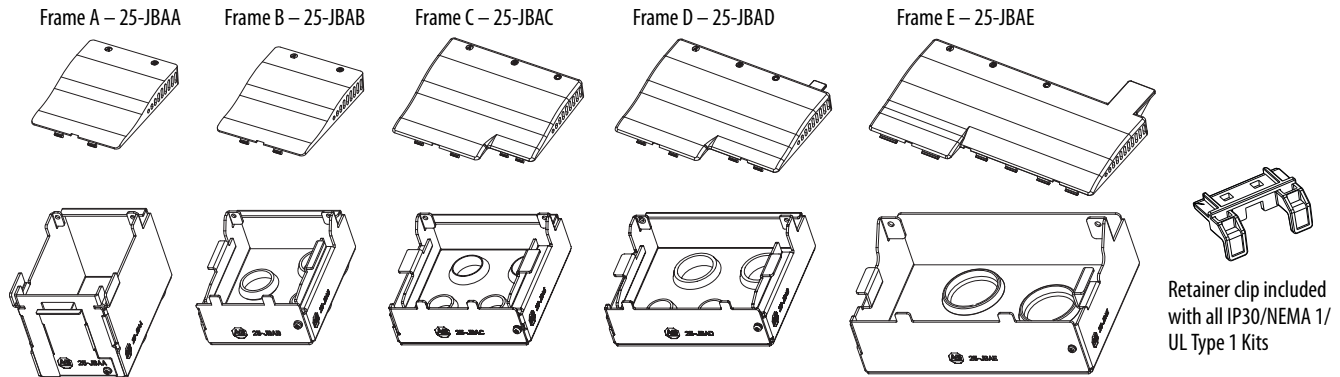


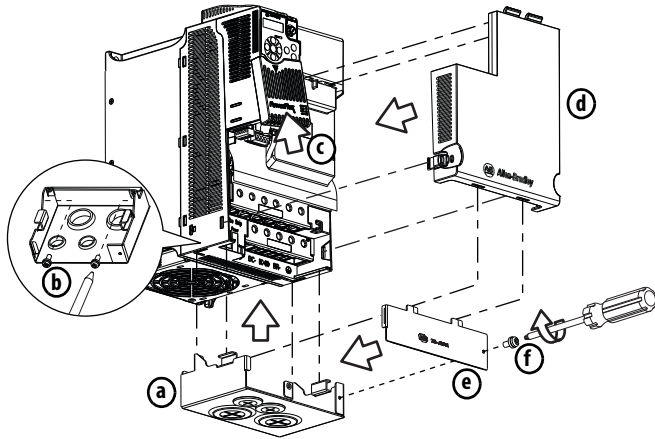


# PowerFlex 520-Series IP30/NEMA 1/UL Type 1 Kit Installation

Catalog Numbers: 25-JBAA, 25-JBAB, 25-JBAC, 25-JBAD, 25-JBAE



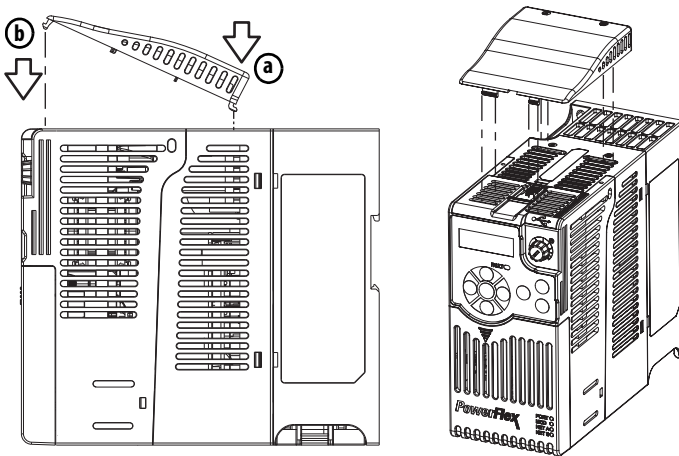
**4** Install the Conduit Box (continued)  
For Frame E



**Screw Size and Torque**

Frame	Conduit Box		Conduit Box Front Bracket	
	Screws	Screw Torque	Screws	Screw Torque
A	2 x M3	0.39...0.588 Nm (3.47...5.2 lb-in)	1 x M3	0.39...0.588 Nm (3.47...5.20 lb-in)
B	2 x M3	0.39...0.588 Nm (3.47...5.2 lb-in)	1 x M3	0.39...0.588 Nm (3.47...5.20 lb-in)
C	2 x M3	0.39...0.588 Nm (3.47...5.2 lb-in)	1 x M3	0.39...0.588 Nm (3.47... 5.20 lb-in)
D	2 x M3	0.39...0.588 Nm (3.47...5.2 lb-in)	1 x M3	0.39...0.588 Nm (3.47... 5.20 lb-in)
E	2 x M4	1.176...1.372 Nm (10.41...12.15 lb-in)	1 x M3	0.39...0.588 Nm (3.47...5.2 lb-in)

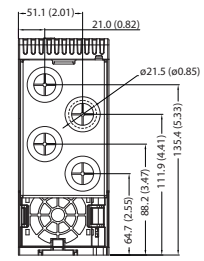
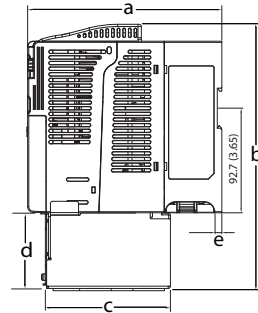
**5** Attach the IP30/NEMA 1/UL Type 1 Cover



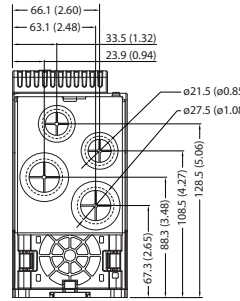
**Dimensions** All dimensions are in mm (in.)

Frame	a	b	c	d	e
A	172 (6.77)	234 (9.21)	110.8 (4.36)	67.0 (2.64)	6.0 (0.24)
B	172 (6.77)	233 (9.17)	103.4 (4.07)	38.0 (1.50)	6.1 (0.24)
C	184 (7.24)	270 (10.63)	102.7 (4.04)	35.0 (1.38)	6.0 (0.24)
D	212 (8.35)	310 (12.20)	105.6 (4.16)	35.0 (1.38)	6.0 (0.24)
E	279 (10.98)	365 (14.37)	117.8 (4.64)	50.0 (1.97)	7.6 (0.3)

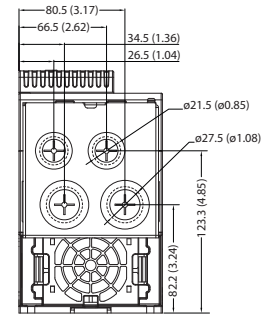
Note: Frames D and E cannot be mounted on DIN-rails.



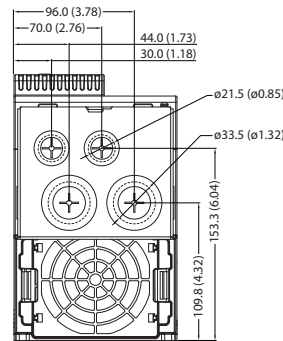
Frame A – 25-JBAB



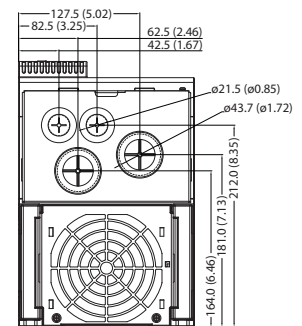
Frame B – 25-JBAB



Frame C – 25-JBAB



Frame D – 25-JBAD



Frame E – 25-JBAE

U.S. Allen-Bradley Drives Technical Support - Tel: (1) 262.512.8176, Fax: (1) 262.512.2222, E-mail: support@drives.ra.rockwell.com  
Online: <http://www.ab.com/support/abdrives>

Allen-Bradley, Rockwell Software, Rockwell Automation, PowerFlex, and TechConnect are trademarks of Rockwell Automation, Inc.  
Trademarks not belonging to Rockwell Automation are property of their respective companies.

[www.rockwellautomation.com](http://www.rockwellautomation.com)

**Power, Control and Information Solutions Headquarters**

Americas: Rockwell Automation, 1201 South Second Street, Milwaukee, WI 53204-2496 USA, Tel: (1) 414.382.2000, Fax: (1) 414.382.4444  
Europe/Middle East/Africa: Rockwell Automation NV, Pegasus Park, De Kleetlaan 12a, 1831 Diegem, Belgium, Tel: (32) 2 663 0600, Fax: (32) 2 663 0640  
Asia Pacific: Rockwell Automation, Level 14, Core F, Cyberport 3, 100 Cyberport Road, Hong Kong, Tel: (852) 2887 4788, Fax: (852) 2508 1846